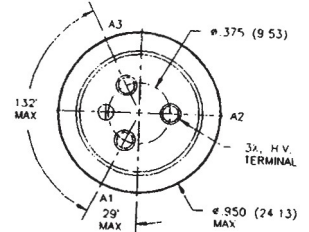
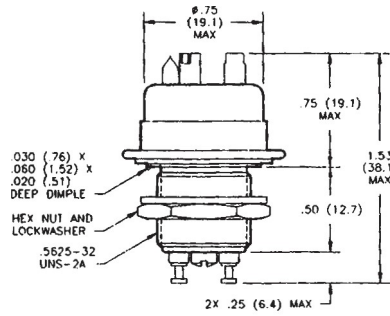


HC Series — 3.5 kV Relays

HC-1
No Load Switching
HC-3
Make & Break Load Switching

Product Facts for HC-1

- Widely used for RF applications
- Vacuum dielectric for low leakage current applications
- Copper contacts for high current capability
- Not designed for power switching
- Meets requirements of MIL-R-83725
- QPL version available, M83725/5-001



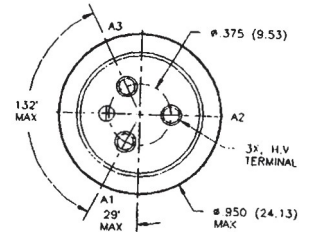
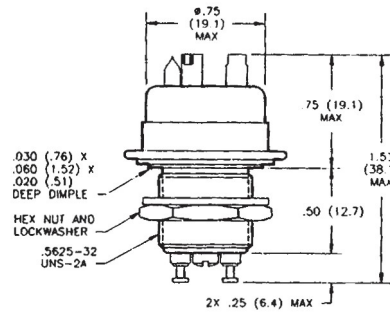
Product Facts for HC-3

- Tungsten contacts for long life when power switching
- Vacuum dielectric for power switching low current loads

For factory-direct application assistance, dial 800-253-4560, ext. 2055, or 805-220-2055.

HC-5
Make Only Load Switching
Product Facts for HC-5

- Gas-filled for "make only" power switching
- SF-6 gas-filled for capacitive discharge applications
- Tungsten contacts for long life when power switching



Product Specifications for HC-1, HC-3 and HC-5

Contact Arrangement — SPDT

Contact Form — C

Test Voltage, DC or 60 Hz (Peak) — 5 kV

Rated Operating Voltage (Peak) — DC or 60 Hz — 3.5 kV
2.5 MHz — 2.5 kV
16 MHz — 2 kV
32 MHz — 1.5 kV

Continuous Carry Current, Max. — DC or 60 Hz — HC-1 — 25 A
HC-3 — 18 A
HC-5 — 8 A
2.5 MHz — HC-1 — 14 A

16 MHz — HC-1 — 9 A

32 MHz — HC-1 — 7 A

Coil Hi-Pot (Vrms, 60 Hz) — 500 A

Contact Capacitance — Between Open Contacts — HC-1 — 2 pF

Open Contacts to Ground — HC-1 — 2.5 pF

Contact Resistance, Max. —

HC-1 — 0.01 ohm
HC-3 — 0.02 ohm
HC-5 — 0.50 ohm*

Operate Time, Max. — 6 ms

Release Time, Max. — 6 ms

Shock, 11ms, 1/2 Sine (Peak) — 50 g

Vibration — Peak — 10 g (55 to 2000 Hz)

Operating Ambient Temperature Range — -55°C to +125°C

Mechanical Life — HC-1, HC-3 — 2 million cycles
HC-5 — 1 million cycles

Weight, Nominal — 28.35 g (1.0 oz.)

Note: *Contact resistance for gas-filled relays is measured at 28 Vdc, 1 Amp

Coil Data

| Nominal Volts DC | 12 Vdc | 26.5 Vdc | 115 Vdc |
|------------------------|----------|----------|----------|
| Pickup, Max. | 8 Vdc | 16 Vdc | 80 Vdc |
| Dropout | .5-5 Vdc | 1-10 Vdc | 5-50 Vdc |
| Coil Resistance (±10%) | 80 Ω | 335 Ω | 6000 Ω |

Ratings listed are for 25°C, sea level conditions

Ordering Information

Sample Part Number ▶ HC- 1 /12Vdc

Series: _____

Model: _____

- 1
- 3
- 5

Coil Voltage: _____

Blank = 26.5 Vdc
/12Vdc = 12 Vdc
/115Vdc = 115 Vdc

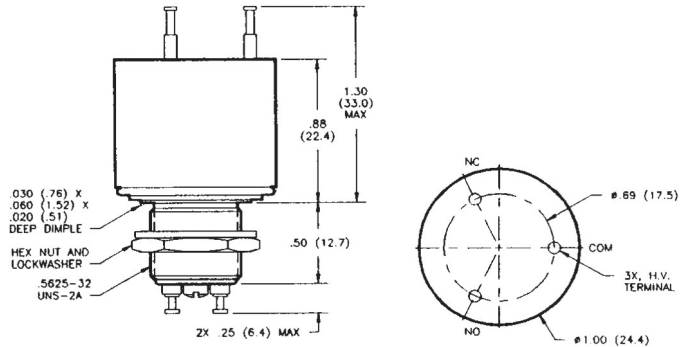
HC Series — 8 kV Relays

HC-2
No Load Switching

HC-4
Make & Break Load Switching

Product Facts for HC-2

- Vacuum dielectric and copper contacts for high current carry rating of 25 Amps
- Not designed for power switching
- Stable, low contact resistance
- Meets requirements of MIL-R-83725



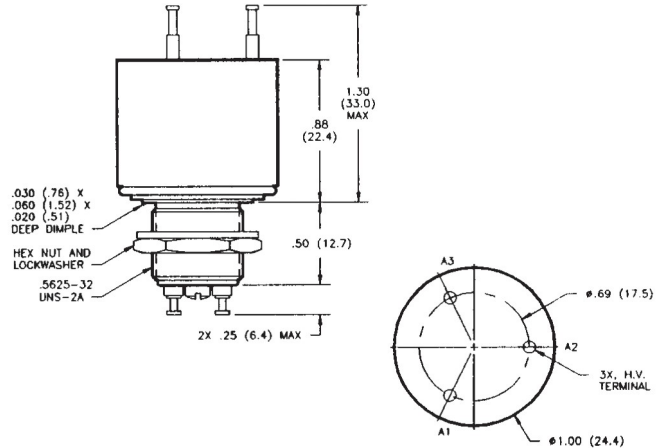
Product Facts for HC-4

- Tungsten contacts for long life in power switching applications
- Meets requirements of MIL-R-83725
- Vacuum dielectric for arc suppression when making or breaking a load

HC-6
Make Only Load Switching

Product Facts for HC-6

- Tungsten contacts for switching high in-rush loads
- SF-6 gas-filled for capacitive discharge applications
- Suitable for ESD testing applications
- Tungsten contacts for long life in power switching applications



Product Specifications for HC-2, HC-4 and HC-6

- Contact Arrangement** — SPDT
- Contact Form** — C
- Test Voltage, DC or 60 Hz (Peak)** — 10 kV
- Rated Operating Voltage (Peak)** — DC or 60 Hz — 8 kV
- Continuous Carry Current, Max.** — DC or 60 Hz — HC-2 — 25 A RMS
HC-4 — 15 A RMS
HC-6 — 8 A RMS
- Coil Hi-Pot (Vrms, 60 Hz) — 500 A RMS
- Contact Capacitance** — Between Open Contacts — N/A
Open Contacts to Ground — N/A
- Contact Resistance, Max.** — HC-2 — 0.01 ohm
HC-4 — 0.02 ohm
HC-6 — 0.5 ohm*
- Operate Time, Max.** — 6 ms
- Release Time, Max.** — 6 ms

Shock, 11ms, 1/2 Sine (Peak) — 50 g

Vibration — Peak — 10 g (55 to 2000 Hz)

Operating Ambient Temperature Range — -55°C to +125°C

Mechanical Life — HC-2 and HC-4 — 2 million cycles
HC-6 — 1 million cycle

Weight, Nominal — 39.69 g (1.4 oz.)

*Contact resistance for gas-filled relays is measured at 28 Vdc, 1 Amp

For factory-direct application assistance, dial 800-253-4560, ext. 2055, or 805-220-2055.

Coil Data

| Nominal Volts DC | 12 Vdc | 26.5 Vdc | 115 Vdc |
|------------------------|----------|----------|----------|
| Pickup, Max. | 8 Vdc | 16 Vdc | 80 Vdc |
| Dropout | .5-5 Vdc | 1-10 Vdc | 5-50 Vdc |
| Coil Resistance (±10%) | 80 Ω | 335 Ω | 6000 Ω |

Ratings listed are for 25°C, sea level conditions

Ordering Information

Sample Part Number ► HC- 6 /12Vdc

Series: _____

Model: _____
2 4 6

Coil Voltage: _____
Blank = 26.5 Vdc
/12Vdc = 12 Vdc
/115Vdc = 115 Vdc